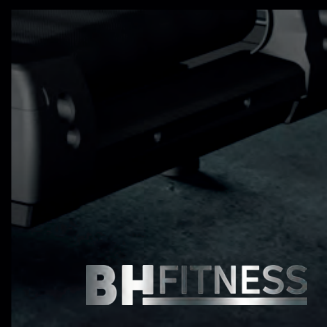


MOVEMIA









MOVEMIA

04

MOVEMIA Cardio Series

14

TR1000 | Treadmill

18

EC1000 | Crosstrainer

22

BU1000 | Upright Bike

26

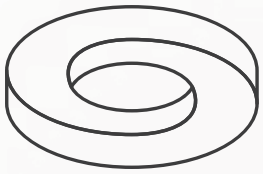
BR1000 | Recumbent Bike

30

RW1000 | Rower







MOVEMIA

CARDIO SERIES

BR1000

Recumbent bike.

There is not any other feelink like seating in the BR1000, adjust the seat with a single hand and start exercising while you enjoy all the multimedia content in a 19" screen.



RW1000

Rower.

It is the most iconic cardio exercise, and rowing in the RW1000 is a superior experience; let your customers feel the power of a smooth and effective rowing.



TR1000

Treadmill.

The TR1000 treadmill will stimulate all of your customer's senses, either of those who prefer walking or those who are running enthusiasts.

BU1000

Upright bike.

Bikes are still one of the most used machines in fitness facilities. Its comfort, together with a universal exercise as cycling, make them mandatory in any gym.

EC1000

Crosstrainer.

It is the soul and spirit of any cardio area. Customers are always willing to give them a try, and it is suitable for any user profile; from hardcore fitness users to those who train in a casual way.





WHERE

PERFORMANCE

MEETS

TECHNOLOGY



DESIGNED FOR

CONNECTIVI



MOVEMIA COMES TO THE WORLD WITH THE AIM OF DESIGNING THE NEW ERA OF FITNESS EQUIPMENT.

MOVEMIA brings a landscape where movement, connectivity and design join forces in order to create unique experiences in sports and health environments.

BH Fitness has merged functionality and design like never before. Club members live in a connected world and the gym becomes a new extension of their lives, in which they want to be as informed and updated as outside.

MOVEMIA is the perfect solution for those members to find fun and entertainment.

MOVEMIA will be the core tool of your customer's loyalty policies. 50% of users go work out, while the other 50% just seek social life. MOVEMIA's technology will fulfill all of their needs.

ATTENTION TO

DETAILS



Thanks to its V-shape designed frame, both weight and tension are distributed in a more uniform way, thus ensuring the machine's stability during the exercise.

A NEW LOOK TOWARDS THE FUTURE

The MOVEMIA family has been designed around a global concept: the improvement of fitness machines in sports centres and to offer the highest features and comfort to users. With a coherent design throughout the whole range and the best materials and details, MOVEMIA is destined to be a quality step forward in cardio equipments.

Full HD 4k consoles with capacitive touchscreen is available for all of MOVEMIA family, with 19" in bikes and crosstrainers and an impressive 21" in the treadmill.



The upper tray has been designed for the user's comfort: two bottleholders for different bottle sizes and a practical support for personal belongings.

THE BEST

FINISHES

Three high end materials configure the design and personality of MOVEMIA. Functionality, endurance and aesthetics merge into organic and modern shapes that will grant any cardio area its own ambiance.

STEEL

3mm steel with multi-layered coating treatment.



ABS

ABS with car painting treatment.



POLYURETHANE

An enduring material which gives a flawless finish.





TR10000

TR1000 | TREADMILL

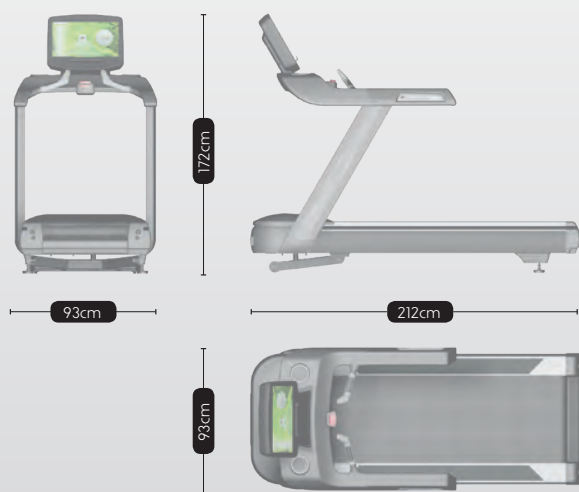
The TR1000 exhales luxury. The finest details are combined with a feeling of extreme safety when jumping into the machine.

New features such as the 3% decline, the joystick adjustment system or the movement sensors that indicate the machine use place this treadmill as one of the top alternatives in the market.





▲ **JOYSTICK.** Unique control system of speed and incline with ergonomic handles in joystick position.



TREADMILL	
TR1000	
Height (cm)	172
Width (cm)	94
Length (cm)	212
Weight (Kg)	220
Speed	1-26 Km/h
Motor	6.0CV
Incline	-3% - 16%
Running surface	160x58cm
Reinforced structure (3mm)	Yes
Max. user weight (kg)	190
Easy Toolbar	Yes
HST Phenolic resin board	Yes
Heartrate sensors in the handlebar	Yes
Wireless heartrate measuring	Yes
Emergency stop system	Yes
Usage indicator	LED
Bottleholder	2x
Transport wheels	Yes
Adjustable supports	Yes
Non-slippery profiles	Yes

OPTIONS OF
CONSOLES

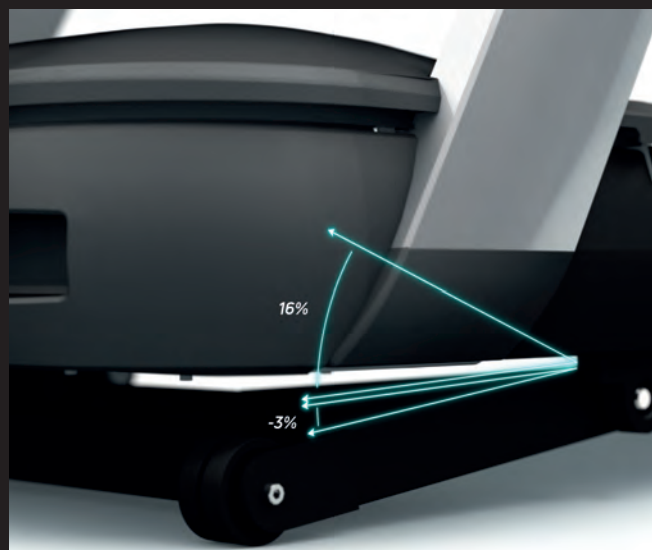


	SmartFocus	LED
Screen	21" 4K	LED
Customizable screen	Yes	No
USB	Yes	Yes
Connectivity (TV, internet, etc.)	Yes	No
RFID access	Yes	No
Central Station	Yes	No
Compatible with management software	Yes	No



▲ **LED INDICATORS.** Know if the machine is being used at a glance.

▶ **DECLINE.** The TR1000 treadmill includes a 3% decline.





EC10000

EC1000 | **CROSSTRAINER**

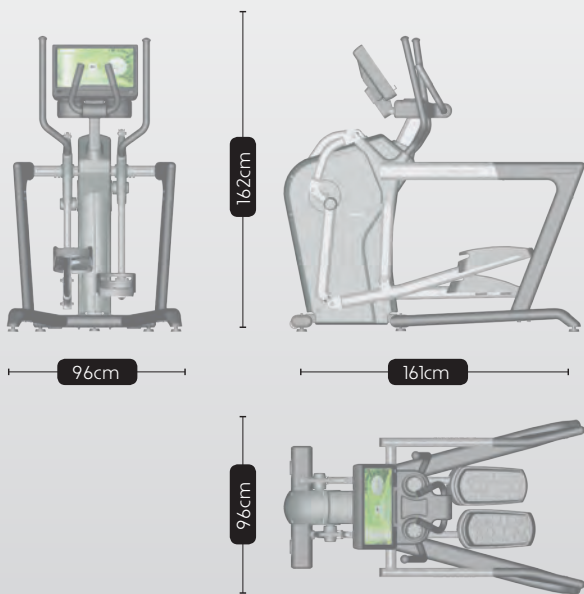
It is the soul and spirit of any cardio area. Customers are always willing to give them a try, and it is suitable for any user profile; from hardcore fitness users to those who train in a casual way.

Due to its adaptive ergonomics the machine offers all its potential of training and fun to any client. It includes a new handlebar system and an oversized cockpit to improve the access.





▲ **MATERIAL.** Steel meets polyurethane, creating areas of high visual impact.



OPTIONS OF
CONSOLES



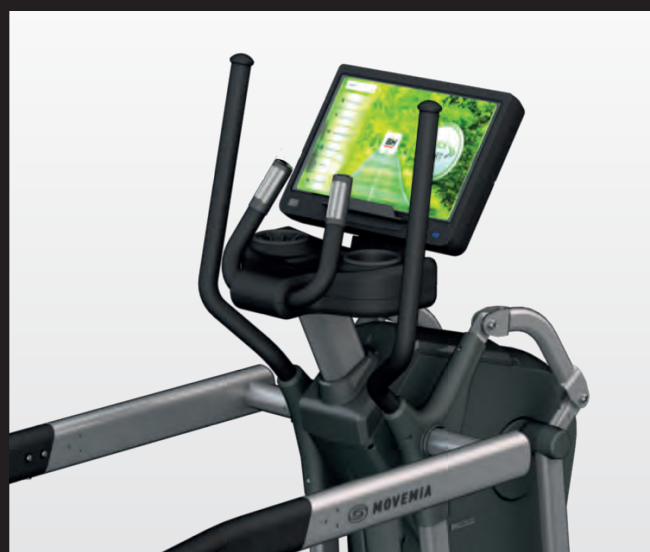
CENTRAL DRIVE CROSSTRAINER	
EC1000	
Height (cm)	162
Width (cm)	96
Length (cm)	161
Weight (Kg)	155
Transmission	Poly-V belt
Stride length	52cm
Distance between pedals	20cm
Double movement	Yes
Rear V-Shape Stability System	Yes
Max. user weight (kg)	190
Quick Trail Controls	Yes
Oversized pedals	Yes
Heartrate sensors in the handlebar	Yes
Wireless heartrate measuring	Yes
Double handlebar	Yes
Bottleholder	2x
Transport wheels	Yes
Adjustable supports	Yes
Reinforced structure (3mm)	Yes

	SmartFocus	LED
Screen	19" 4K	LED
Customizable screen	Yes	No
USB	Yes	Yes
Connectivity (TV, internet, etc.)	Yes	No
RFID access	Yes	No
Central Station	Yes	No
Compatible with management software	Yes	No



▲ **STABILITY.** The V-shape of its lower frame makes it the most stable crosstrainer of its range. A feature that will keep safe even the most hardcore users.

▶ **CONSOLE.** Full HD 19" 4K screen with connectivity and TV, that will delight each and every user.





BU10000

BU1000 | UPRIGHT BIKE

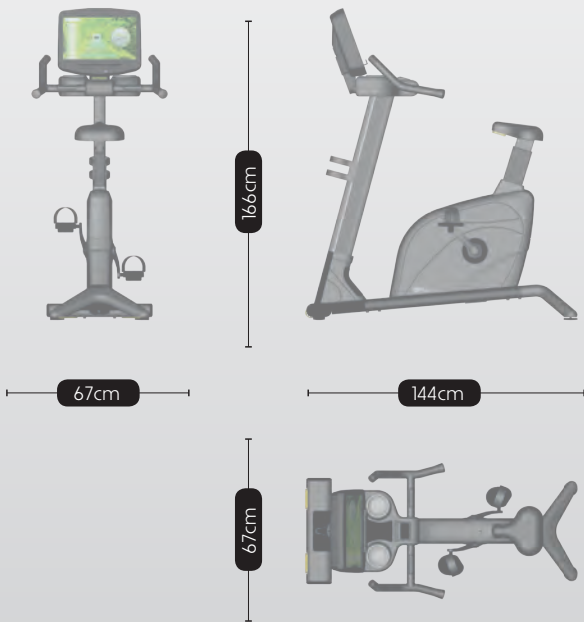
Bikes are still one of the most used machines in fitness facilities. Its comfort, together with a universal exercise as cycling, make them mandatory in any gym.

The completely new design will increase the visual impact of the equipment in the facility. Organic shapes and matt textures create a machine as impacting as efficient.





▲ OPEN ACCESS. The BU1000 has been designed with all users in mind. Thus, its open frame design allows a full access even for people with reduced mobility.



OPTIONS OF
CONSOLES



UPRIGHT BIKE	
BU1000	
Height (cm)	166
Width (cm)	67
Length (cm)	144
Weight (Kg)	77
Transmission	Poly-V belt
Resistance system	Electromagnetic
Generator/renerador	Genesis III
Rear V-Shape Stability System	Yes
Max. user weight (kg)	190
Adjustable gel saddle	Yes
Non-slippery pedals	Yes
Heart rate sensors in the handlebar	Yes
Wireless heart rate measuring	Yes
Ergonomic handlebar	Yes
Open access	Yes
Bottleholder	2x
Transport wheels	Yes
Adjustable supports	Yes
Reinforced structure (3mm)	Yes

	SmartFocus	LED
Screen	19" 4K	LED
Customizable screen	Yes	No
USB	Yes	Yes
Connectivity (TV, internet, etc.)	Yes	No
RFID access	Yes	No
Central Station	Yes	No
Compatible with management software	Yes	No



▲ **REAR V-SHAPE Stability system.** The rear support, V-shaped and with PU material, give a high end look to the machine, together with a great stability.

► **TRAY.** An upper space is offered to improve the user's comfort, for he will be able to place his personal belongings and keep them under control.





BR10000

BR1000 | **RECUMBENT BIKE**

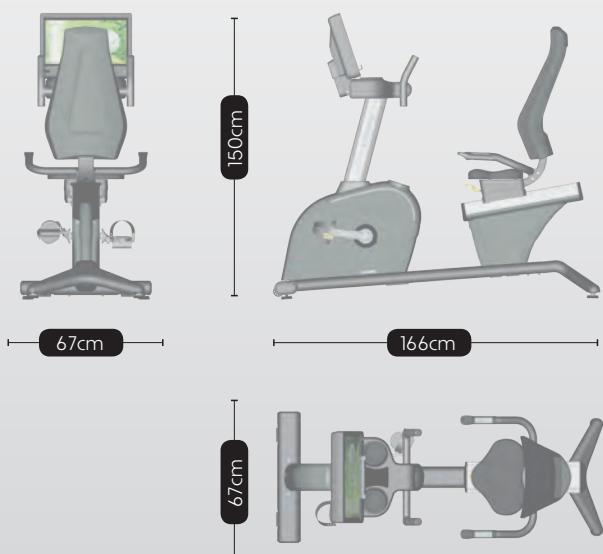
Allow your users to take a seat in the most comfortable recumbent bike in the market. The comfort during the workout reaches the next level with its back area studied design and the open frame that will grant an easy access to people with mobility problems.

Its design is light in its shape but solid in its materials, and it will give your facility the look you have always desired.





SEAT ADJUSTMENT. The ergonomic seat has an adjustment system with IGUS bushings, simple and precise. It will ensure a smooth and frictionless adjustment, improving the mechanism durability.



RECUMBENT BIKE	
BR1000	
Height (cm)	150
Width (cm)	67
Length (cm)	166
Weight (Kg)	97
Transmission	Correa Poly-V
Resistance system	Electromagnético
Generatorenerador	Genesis III
Rear V-Shape Stability System	Yes
Max. user weight (kg)	Yes
Peso máximo de usuario (kg)	190
Quick Trail Controls	Yes
Non-slippery pedals	Yes
Heartrate sensors in the handlebar	Yes
Wireless heratrte measuring	Yes
Ergonomic transpirable backrest	Yes
Bottleholder	2x
Transport wheels	Yes
Adjustable supports	Yes
Reinforced structure (3mm)	Yes

OPTIONS OF
CONSOLES



	SmartFocus	LED
Screen	19" 4K	LED
Customizable screen	Yes	No
USB	Yes	Yes
Connectivity (TV, internet, etc.)	Yes	No
RFID access	Yes	No
Central Station	Yes	No
Compatible with management software	Yes	No



▲ **QUICK TRAIL CONTROLS.** Integrated controls in the handlebar that allow users to change parameters without changing the position.

▶ **ERGONOMIC SEAT.** Its careful design ensures a proper position during the exercise. It also improves the user's comfort.





RW10000

RW1000 | **ROWER**

There is no exercise routine that does not mention rowing as a warm-up or for a long cardio session.

BH Fitness has developed a completely new rower, with a brand new design and special features that will improve efficiency in every workout. This self-generated rower includes a system of oscillating pedals that simulate with precision the rowing exercise.





▲ **ADJUSTABLE PEDALS.** The oscillating pedals system allows a perfect simulation of actual rowing.

ROWER	
RW1000	
Height (cm)	116
Width (cm)	54
Length (cm)	272
Weight (Kg)	60,1
Transmission	Poly-V belt
Resistance system	Electromagnetic+Air
Self-generated	Yes
Reinforced structure	Yes
Max. user weight (kg)	180
Quick Trail Controls	Yes
Oscillating pedals	Yes
Rotating console	Yes
HIIT programs	Yes
Heartrate sensors in the handlebar	Yes
Wireless heratrate measuring	Yes
Resistance levels	20
Transport wheels	Yes
Adjustable supports	Yes



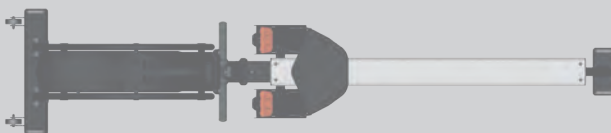
116cm



54cm

272cm

54cm





▲ **SELF-GENERATED.** Thanks to its powerful batteries that are charged with the exercise, the RW1000 does not need electricity.

▶ **QUICK TRAIL CONTROLS.** Controls are integrated in the handlebar, so that the user can change resistance without stopping. It also includes a tablet/smartphone holder.

▼ **ROBUSTNESS AND DESIGN.** The modern design is combined with a reinforced structure that ensures the stability.



DISCOVER A GYM 100%

CONNECTED

MOVEMIA machines have been designed to grant a full connectivity inside the fitness facility.

With a huge set of customization options, management systems integration and the exclusive tools offered by BH Fitness, managers will have an absolute control of what is happening inside their business.



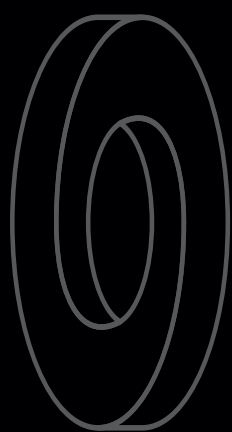
SMART FOCUS

SmartFocus and its management platform gather data related to use and status of the equipment, to offer full reports to the managers that will allow an optimization of resources and will help minimize technical issues.

LOOP

The users management app LOOP, developed by BH Fitness, completes the circle of connectivity, offering services for users such as classes booking, profile and routine planning. Its full integration with the machines allows the automation of exercise routines, granting the tracking of the customer's behaviour inside the club.





MOVEMIA

BHFITNESS

bh.fitness